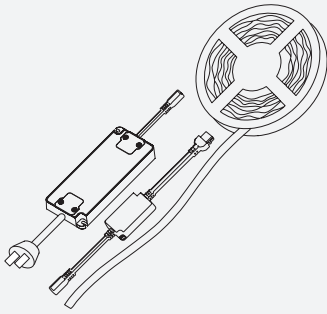




# Installation Instructions



## Smart RGBTW LED Strip Light Kit, 5m

Product Code:  
**KB36RGBTWS5M**

### APP Installation

Visit [www.kasta.com.au](http://www.kasta.com.au) or your app store to download the free KASTA app.  
iOS: requires iOS 9.0 or later.  
Android: requires Android 4.4 or later.  
Devices must support Bluetooth 4.0



### Important Safety Information

- This product must be installed by a licensed electrician in accordance with all the requirements of AS/NZS 3000 (current edition) and other relevant Standards and Regulations.
- Electricity MUST be disconnected prior to installation. Failure to do so may result in serious injury and or loss of life.
- Indoor use only. Not suitable for damp or explosive environments.
- Complies to Australian Standards AS/NZS 60950.1:2015, AS/NZS CISPR 15.
- No user serviceable parts inside.

## FEATURES

- RGB and Tuneable White LED strip kit including driver with flex and plug, KASTA in-line controller and 5m LED strip.
- Wireless Bluetooth Mesh communication.
- Can be paired with KASTA remote switch devices for operation (8x maximum per kit).
- On, off, dim and button press functions from local button (in-line controller) or KASTA remote switch devices.
- Configured and controlled using the KASTA app (iOS and Android).
- App offers a white CCT dial, a RGB colour wheel and a pre-set colour palette for intuitive control.
- Supports Group, Scene, Timer and Scheduling automation functions.
- 3 year warranty.

## FUNCTION SETUP

Controllable via KASTA remote switch devices or the RESET button on the LED Strip in-line controller.

ON/OFF	1 CLICK
--------	---------

Turns strip on or off. When turned ON, strip will adjust to previous brightness setting.

DIM UP/DOWN	ONE LONG PRESS
-------------	----------------

When strip is on, long press button to dim up or down. Release button to stop.

FULL BRIGHTNESS	2 CLICKS
-----------------	----------

Sets strip to full brightness.

DELAY TO OFF	3 CLICKS*
--------------	-----------

Strip turns off automatically after a set time (configured in the app). Single click to cancel.

SET WHITE CCT COLOUR TEMPERATURE	4 CLICKS*
----------------------------------	-----------

Cycle through white CCT colour temperature. Click button 1 time to store setting.

SET RGB COLOUR	5 CLICKS*
----------------	-----------

Cycle through the pre-set colours to your desired colour. Click button 1 time to store setting.

FACTORY RESET	9 CLICKS
---------------	----------

Restores all settings back to factory.

\*\*If successful, the strip will pulse the number of times that the button was clicked, indicating function.

## TECHNICAL SPECIFICATIONS

**Operating Temp:** -20°C to 40°C

**Supply (Driver):** 220 - 240V a.c.

**Operating Frequency (In-Line Controller):** 2.4Ghz

**Output (In-Line Controller):** 2A/CH, MAX. 6A

## CONNECTION DIAGRAM

