

Curtain Control Module

KASTA-C300IBH



Smart curtain control module that controls AC powered motors (4-wire switched motor) or DC powered motors (Class I or II) and connects to a momentary push button mechanism.

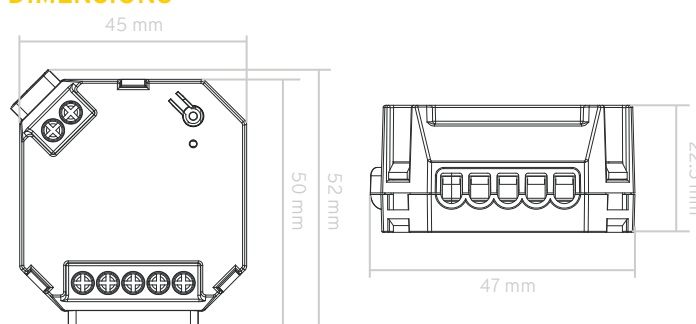
FEATURES

- Control AC powered motors (4-wire switched motor) or DC powered motors (Class I or Class II)
- 7-wire connection for power, motor and momentary switch mechanism
- Reliable Bluetooth® mesh network connectivity to all KASTA devices
- 8-way multiway control
- Can be set up for one or two button operation
- Short press on input S1 or S2 to fully OPEN or CLOSE, a second short press to STOP/PAUSE
- Long press (S1, S2) >2s will initiate movement until released
- Built in over-voltage and over-current protection, with maximum 30 second run time
- Supports core KASTA functionality - control devices, groups, scenes, timers and scheduling
- Suits all Australian standard wall plates using a momentary mechanism
- iOS and Android app setup and control
- 3 year warranty

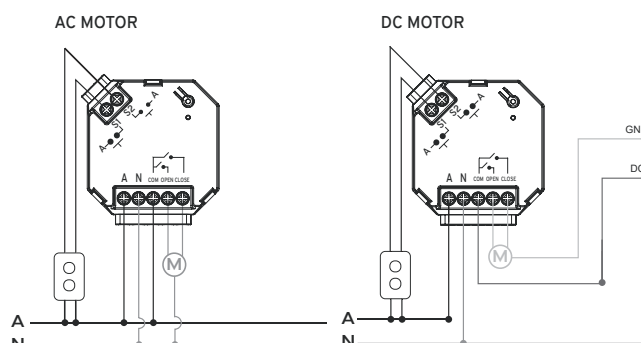
SPECIFICATIONS

Power Supply	220-240V a.c. 50Hz
Operating Ambient Temperature	-20 to 40°C
IP Rating	IP20
Physical Connection Type	Terminals
Wiring Connections	Active, Neutral, Motor (Open/Close) & Momentary Mechanisms
Load Output (Inductive) Max.	300W (1.2A)
Load Compatibility	AC Motor: Standard bidirectional 4-wire 240VAC single phase motor with internal limit switches (2 Active, 1 Neutral, 1 Earth) DC Motor: Class I or Class II equipment only, up to 24VDC (max.) with internal limit switches
Momentary Input (S1/S2)	Local signal input only (not 240V a.c.) Max. wiring length between S1/S2 and momentary mechanism is 30m
Housing Material	Polycarbonate (PC)
Standards Complied	AS/NZS 60669.2.1, AS/NZS 60669.1, AS/NZS 60950.1, AS/NZS CISPR 15, AS/NZS 4268

DIMENSIONS



CONNECTION



Curtain Control Module

KASTA-C300IBH



MOTOR SUITABILITY

- 3-wire:
 - Active wire (Control wire) – used for up/down control
 - Earth wire (Power wire)
 - Neutral wire (Power wire)
- 4-wire:
 - Active wire (Control wire) – used for up control
 - Active wire (Control wire) – used for down control
 - Earth wire (Power wire)
 - Neutral wire (Power wire)

COMPATIBILITY

KASTA Curtain Controller is suitable for use with most 3 and 4-wire motorised roller blinds and curtains including the following brands and series (but not limited to):

Forest Shuttle®: FS2L

DOOYA®:

- DT52S-45/20
- DT72TS-1.2/14
- DT82TV-1.2/14
- DM35B-6/28
- DM35F-6/28
- DM35SL-6/20