

# HESPERUS™ Series

## Multivue™ Remote Switch

H5MSMB

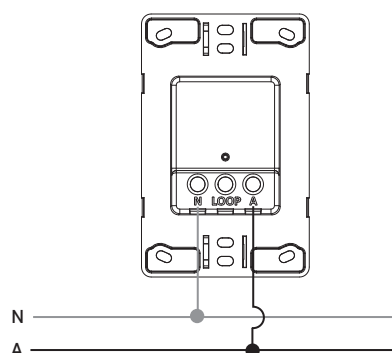


### 5-Button remote switch panel with LCD display for multiple page view

#### FEATURES

- Offers complete control of user's KASTA mesh network through a simple easy-to-use interface
- 5-button control with multiple pages allows users to dynamically manage and monitor groups, scenes and individual devices (up to 20 devices/scenes or rooms)
- Clear icons for easy identification of device to be controlled
- Proximity sensor activates the device for use
- Reliable Bluetooth® mesh network connectivity to all your KASTA devices
- Wi-Fi connectivity to ensure device is kept updated with the latest software features
- iOS and Android app setup and control
- 3 year warranty

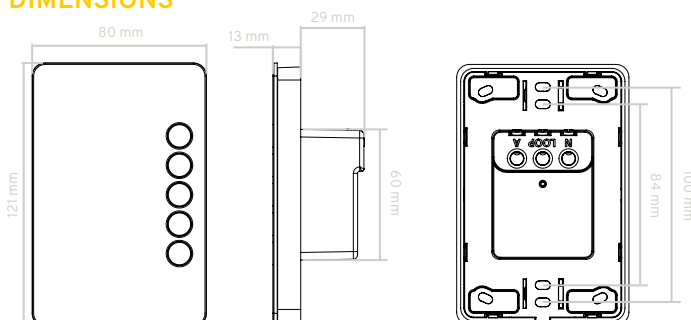
#### CONNECTION



#### SPECIFICATIONS

Power Supply	5V d.c. 1A (240V a.c. adaptor supplied)
Operating Ambient Temperature	-10 to 55°C
Wi-Fi Connectivity	Wi-Fi 802.11 g/b/n, 2.4Ghz
IP Rating	IP20
Plate Depth	13mm
Terminal Size	16mm <sup>2</sup> (accommodates 4x2.5mm <sup>2</sup> cables)
Terminal Screw Type	Flat Terminal Screw
Mounting Points	84mm / 100mm and Corners
Mounting Screw Type	Combination Flat / Philips Head Screws
Frame Colour / Finish	Black Matte
Plate Colour / Finish	White / Black Gloss
Housing Material	Polycarbonate (PC), Acrylonitrile Butadiene Styrene (ABS)
LED Indicators	Blue, Red
Standards Complied	AS/NZS 62368.1, AS/NZS 4268, AS/NZS CISPR 32

#### DIMENSIONS



#### ORDERING CODE

H5MSMB-WH

(plate finish)

WH - White  
BK - Black