

# Battery Powered Remote Switch Mechanism

KASTA-RB02-W

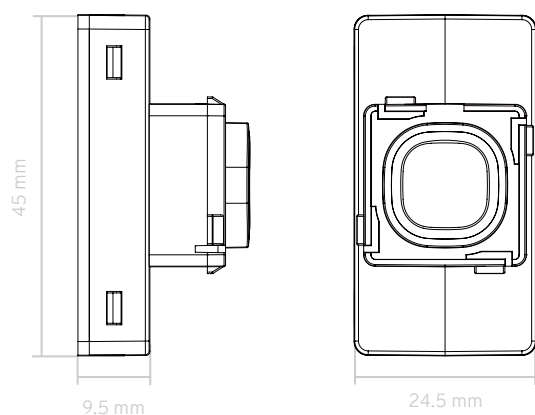


Smart battery powered remote switch mechanism that clips into standard wall plate

## FEATURES

- Reliable Bluetooth® mesh network connectivity for control of all your KASTA devices
- Lithium battery powered remote switch control
- Short press for ON/OFF control
- Long press for dimming control (where KASTA dimming devices are used)
- Supports core KASTA functionality - control devices, groups and scenes
- Suits most Australian wall plates
- Supplied with White button caps (2 x styles)
- iOS and Android app setup and control
- 3 year warranty (excluding batteries)

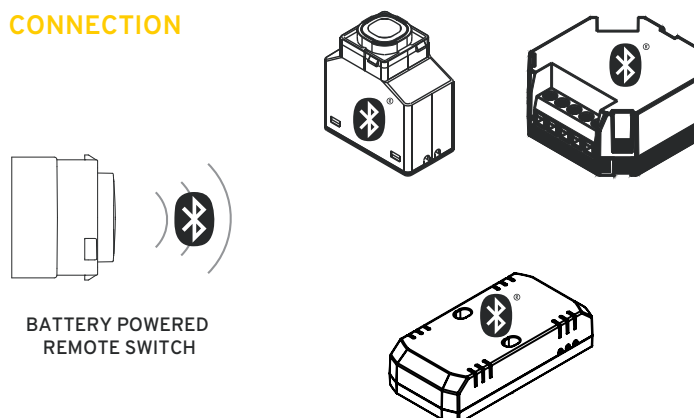
## DIMENSIONS



## SPECIFICATIONS

Power Supply	CR2032 Lithium Battery x2
Battery Life	Up to 1 year (approx. 50,000 presses)
Operating Ambient Temperature	-20 to 40°C
IP Rating	IP20
Housing Material	Polycarbonate (PC)
LED Indicators	Blue
Standards Complied	AS/NZS 4268, AS/NZS CISPR 15

## CONNECTION



## PRE-ASSEMBLED MECH-IN-PLATE ORDERING CODES

# OF BUTTONS	SERIES	PRODUCT CODE	SAP CODE
1	EDGY	EG1ASRB02-WH	3500134
	HESPERUS	H1ASRB02-WH	3500137
2	EDGY	EG2ASRB02-WH	3500135
	HESPERUS	H2ASRB02-WH	3500138
3	EDGY	EG3ASRB02-WH	3500136
	HESPERUS	H3ASRB02-WH	3500139